

## ARL2-5053URC-1.8cd

### FEATURES

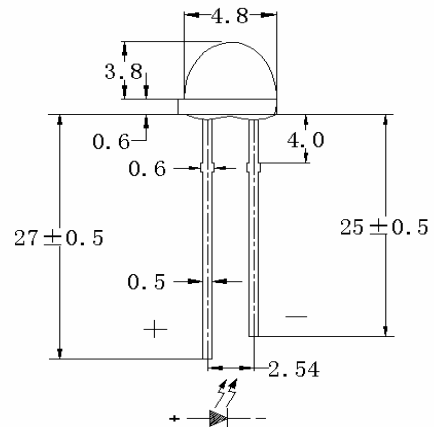
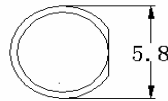
- High efficiency
- Low Power consumption
- General purpose leads
- Selected minimum intensities
- Available on tape and reel
- Pb free



### PACKAGE DIMENSIONS

#### NOTES

- All dimensions are in millimeters (inches).
- Protruded resin under flange is 1.5mm Max



NOTE: TOLERANCE  $\pm 0.2\text{mm}$

### Device Selection Guide

LED Part No.	Chip		Lens Color
	Material	Emitted Color	
ARL2-5053URC-1.8cd	GaP	Red	Water clear

### Absolute Maximum Rating (Ta=25°C )

Parameter	Symbol	Absolute Maximum Rating	Unit
Peak Forward Current	$I_{FPM}$	150	mA
Forward Current	$I_{FM}$	20	mA
Reverse Voltage	$V_R$	5	V
Operating Temperature	$T_{opr}$	-25 ~ +85	°C
Storage Temperature	$T_{stg}$	-25 ~ +85	°C
Lead Soldering Temp (1.6mm from body)	$T_{sol}$	260 for 3Sec	°C

### Electro-Optical Characteristics (Ta=25 °C )

Parameter	Symbol	Min.	Typ.	Max.	Unit	Test Condition
Viewing Angle	$2\theta_{1/2}$	---	160	---	Deg	(Note 2)
Peak Wavelength	$\lambda_p$	---	620	---	nm	IF=20mA
Spectral Half-Width	$\Delta\lambda$	---	630	---	nm	nm
Forward Voltage	$V_F$	1.8	2.0	---	V	IF=20mA
Reverse Current	$I_R$	<1	10	---	$\mu\text{A}$	VR=5V